

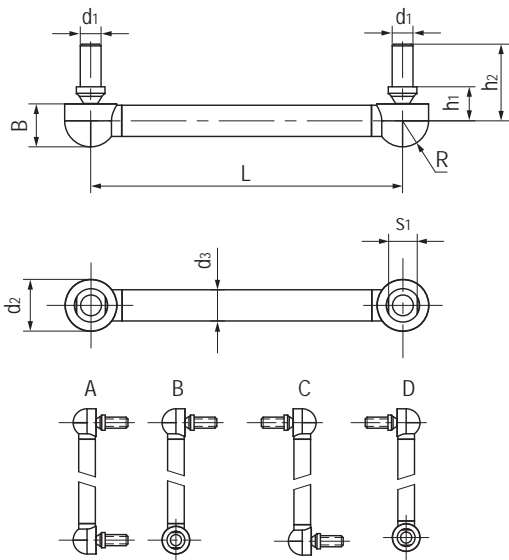
GVCJ可变联接关节球头销 Variable coupling joint with ball studs



产品特性 Product features

- 球头销保持器采用高强度材料CSB® M163制成
 - 球头销材料可选镀锌钢或不锈钢
 - 连接管材料可选镀锌钢或不锈钢
 - 轴承位置多种角度选择
 - 中心距可根据需求定制
 - 自润滑、免维护
 - 无噪音和轻量化
- Ball stud housings made of high strength material CSB® M163
 - Available materials of the ball stud: galvanised steel or stainless steel
 - Available materials of the tube: galvanised steel or stainless steel
 - Individual alignment of the bearing position
 - The centre dimensions upon request is available
 - Maintenance free and self-lubricated
 - No noise and lightweight design

标准规格 Standard specifications



产品编码 Part No.:

GVCJ-MR-06-A-GT-GS-000

- 中心距 Center dimensions
- GS: 镀锌钢球头销 Galvanised steel studs
- ES: 不锈钢球头销 Stainless steel studs
- GT: 镀锌钢管 Galvanised steel tubes
- ET: 不锈钢管 Stainless steel tubes
- 方向版本 Direction versions: A/B/C/D
- 螺纹尺寸 Thread dimensions
- MR: 右旋螺纹 Thread direction: right hand

产品编码 Part No.	d ₁ [mm]	d ₂ [mm]	d ₃ [mm]	L (Min) (最小值)	B [mm]	h ₁ [mm]	h ₂ [mm]	s ₁ [mm]	R [mm]	球头销-最大静态 轴向拉负荷 Max. static tensile stress in pin axis		球头销-最大静态 径向压负荷 Max. static pressure load in pin radial		连接管-最大静态 抗拉应力 Max. static tensile stress of the tubes		最大调 节角度 Max. pivot angle
										短期 Short-term	长期 Long-term	短期 Short-term	长期 Long-term	短期 Short-term	长期 Long-term	
										[N]	[N]	[N]	[N]	[N]	[N]	
GVCJ-MR-08	M8	19.3	12	80	16.2	13.1	29.5	SW11	9.7	750	375	1500	750	2000	1000	24°